

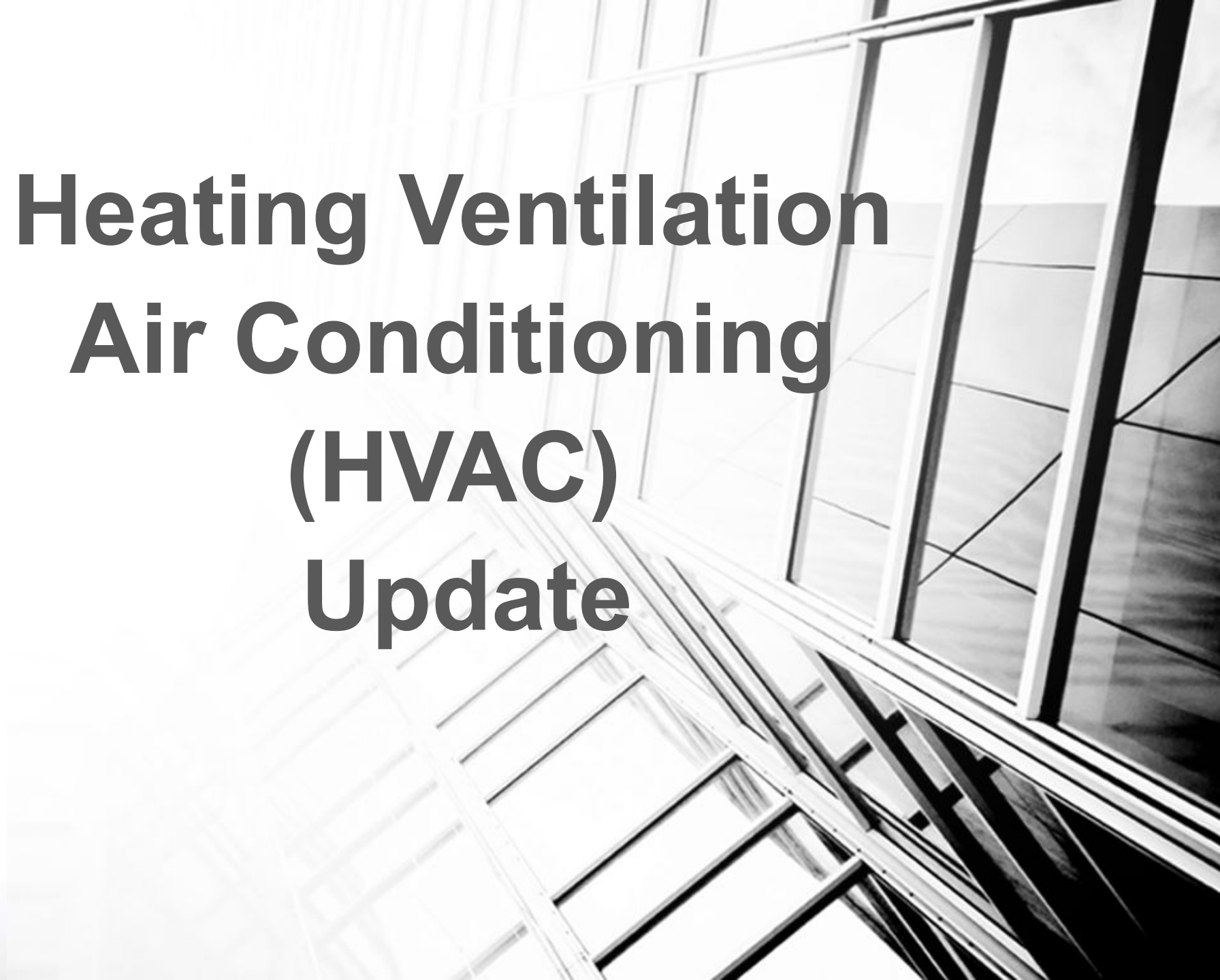
**Ocean
View
School
District**



of Orange County



**Heating Ventilation
Air Conditioning
(HVAC)
Update**





HVAC: CURRENT

CHALLENGES



Some Antiquated Systems



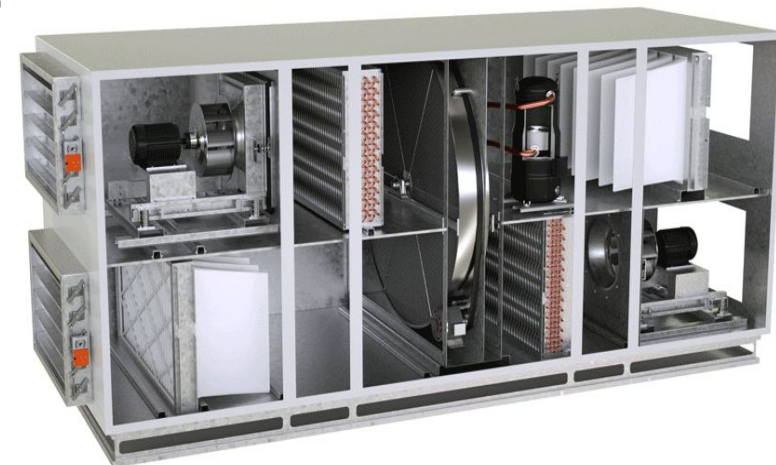
Lack of Standardized Energy Management Systems (EMS)



Difficulty Finding & Retaining Qualified HVAC Staff



Funding Challenges





HVAC: SYSTEM REVIEW

CATEGORY DESCRIPTIONS

- Measure “R” Modernized Sites
- Emergency Modernized Sites
- Non-Modernized Elementary School Sites
- Non-Modernized Middle School Sites

RATING INDEX

5 = Exceptional

4 = Good

3 = Fair

2 = Failing

1 = Non-Operational





DISTRICT OVERALL HVAC: STATUS

Measure "R" Modernized Sites

- Westmont (5), College View (5), Marine View (5), Vista View (5)

Emergency Modernization Sites

- Hope View (4), Oak View (3), Lake View (4)

RATING INDEX

5 = Exceptional

4 = Good

3 = Fair

2 = Failing

1 = Non-Operational





DISTRICT OVERALL HVAC: STATUS

Non-Modernized Elementary Sites

- Circle View (2), Golden View (2), Harbour View (3), Interim Site (3), Village View (3)

Non-Modernized Middle School Sites

- Mesa View (2), Spring View (4)

RATING INDEX

5 = Exceptional

4 = Good

3 = Fair

2 = Failing

1 = Non-Operational



Ocean View School District



of Orange County



HVAC Update

Q&A

